

COOLING: 9,000 - 23,000 BTU/H
 HEAT PUMP: 8,400 - 20,000 BTU/H
 ELECTRIC HEAT: 7,000 - 34,100 BTU/H
 UP TO 10.4 EER

**VERTICAL TERMINAL
 AIR CONDITIONER
 AND HEAT PUMP
 3/4 TON THROUGH 2 TONS**

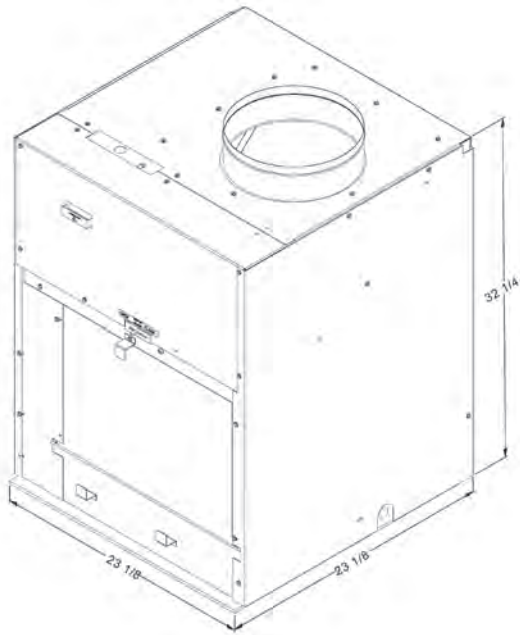
Product Features

- Chlorine-free R-410A refrigerant
- Slinger ring technology
- Compressor restart delay
- Low-ambient lock-out
- Adjustable fresh air damper
- Telescoping Exterior Wall Adapter
- Safety power disconnect
- Wall-mount thermostat
- Electrical disconnect
- Random unit restart
- Completed insulated cabinet for quiet operation
- "Ductable" to multiple rooms
- Secondary overflow drains
- 5 year limited warranty

NOMENCLATURE

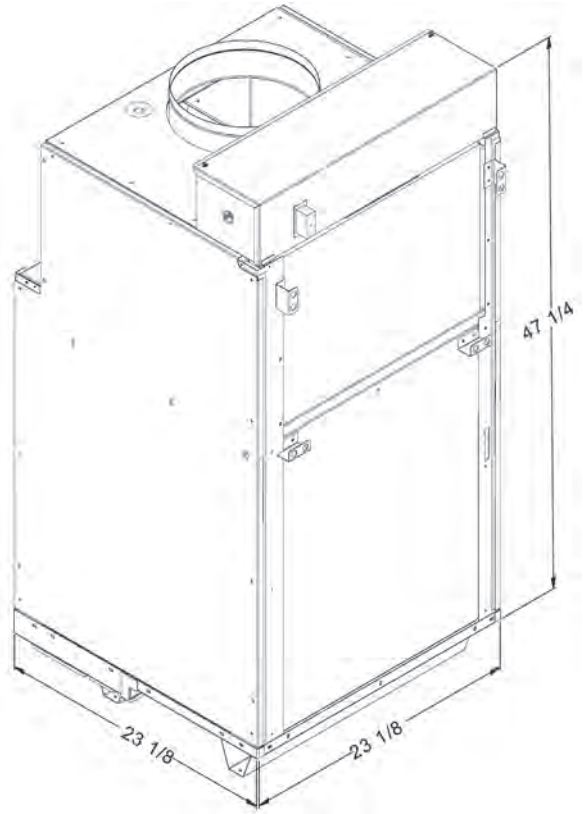
Model Number	A	V	H	09	3	G	25	AXXX
A = Amana	V = Vertical PTAC		H = Heat Pump C = Cooling with electric Heat		G = R-410A Refrigerant		Standard Model	
09 = 9,000		12 = 12,000		18 = 18,000		24 = 24,000		Electric Heater Size 25 = 2.5 kw 35 = 3.5 kw 50 = 5 kw 75 = 7.5 kw* 10 = 10kw* *24,000 BTU Units only
Voltage		3 = 208/230v		4 = 277v				

AVH & AVC CHASSIS DIMENSIONS



Applicable Models

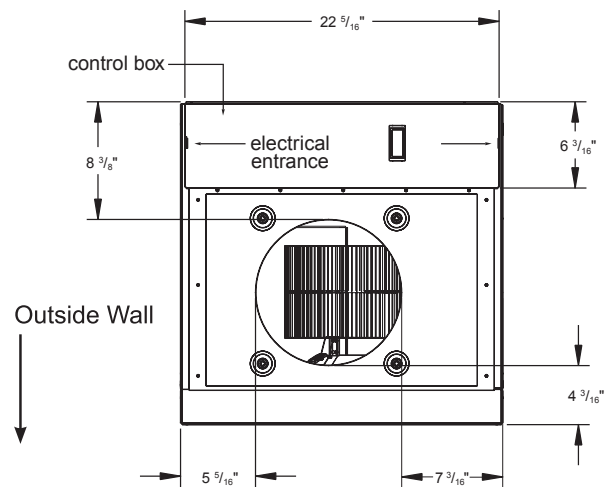
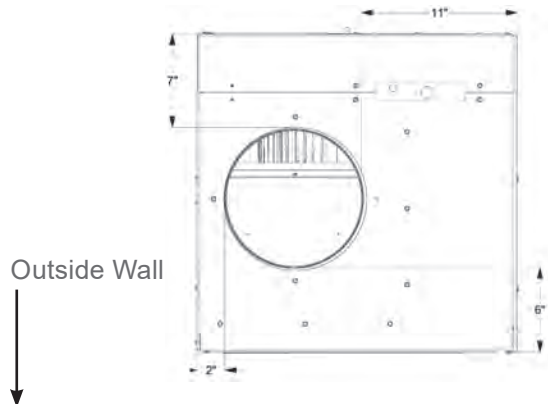
- AVC093
- AVC123
- AVC183
- AVH093
- AVH094
- AVH123
- AVH124



Applicable Models

- AVC243
- AVH183
- AVH184
- AVH243
- AVH244

UNIT TOP VIEW DIMENSIONS



Product Specifications: AVH Models — Cooling/Heat Pump/Electric Heat

MODEL	AVH093	AVH094	AVH123	AVH124	AVH183	AVH184	AVH243	AVH244								
COOLING DATA																
COOLING BTU	9400/9400	9400	12200/12000	12400	18200/18000	18000	23000/22800	22500								
POWER (W)	905/905	915	1220/1200	1240	1825/1800	1815	2527/2505	2475								
EER	10.4/10.4	10.3	10.0/10.0	10.0	10.0/10.0	10.0	9.1/9.1	9.1								
SENSIBLE HEAT RATIO	0.76	0.77	0.75	0.75	0.66	0.70	0.70	0.70								
HEATER SIZE (kW)	2.5/3.4/5.0	2.5/3.4/5.0	2.5/3.4/5.0	2.5/3.4/5.0	2.5/3.4/5.0	2.5/3.4/5.0	2.5/3.4/5.0/7.5/10.0	2.5/3.4/5.0/7.5/10.0								
HEAT PUMP DATA																
REVERSE HEATING BTU	8400/8400	8500	11100/10900	11300	16800/16400	16700	20000/20000	20000								
COP @ 47F	3.0/3.0	3.0	3.0/3.0	3.0	3.0/3.0	3.0	3.0/3.0	3.0								
HEATING POWER (W)	830/830	820	1075/1050	1095	1650/1600	1620	1953/1953	1950								
HEATING CURRENT (A)	4.0/4.0	3.2	5.0/5.3	4.5	7.8/8.3	6.9	8.5/9.4	8.1								
ELECTRICAL DATA																
VOLTAGE (1 PHASE, 60 HZ)	230/208	265	230/208	265	230/208	265	230/208	265								
VOLT RANGE	253-197	292/239	253-197	292/239	253-197	292-239	253-197	292-239								
COOLING CURRENT (A)	4.3/4.3	3.5	5.7/5.9	5.1	8.6/9.2	7.6	10.9/10.6	9.7								
AMPS L.R	21.0	21.0	30.0	30.0	42.0	42.0	46.0	46.0								
AMPS F.L.	3.5	3.5	4.8	4.8	7.8	7.8	9.5	9.5								
INDOOR MOTOR (HP)	1/4	1/4	1/4	1/4	1/4	1/4	1/4	1/4								
INDOOR MOTOR (A)	1.2	1.2	1.2	1.2	1.2	0.42	1.9	1.8								
OUTDOOR MOTOR (HP)	—	—	—	—	1/4	1/4	1/4	1/4								
OUTDOOR MOTOR (A)	—	—	—	—	—	0.9	0.85	0.85								
PHYSICAL																
DIMENSIONS (W X D X H)	23"x23"x32"	23x23x32	23"x23"x32"	23x23x32	23"x23"x47"	23"x23"x47"	23"x23"x47"	23"x23"x47"								
NET WEIGHT (LBS)	142	144	147	149	190	192	205	207								
SHIPPING WEIGHT (LBS)	164	166	169	171	216	218	231	233								
TEST SETTING	LOW	LOW	LOW	LOW	HIGH	HIGH	LOW	LOW								
R410A CHARGE (OZ)	38	39	39.5	37	54	52.8	65	65								
AIRFLOW DATA																
INDOOR CFM	LOW	HIGH	LOW	HIGH	LOW	HIGH	LOW	HIGH	LOW	HIGH	LOW	HIGH	LOW	HIGH	LOW	HIGH
.10" ESP	420	450	420	450	420	450	390	450	420	465	420	465	610	700	610	700
.15" ESP	405	425	405	425	405	425	375	425	390	420	390	420	585	670	585	670
.20" ESP	385	400	385	400	385	400	350	400	345	380	345	380	560	640	560	640
.25" ESP	355	375	355	375	355	375	325	375	300	325	300	325	535	610	535	610
.30" ESP	320	350	320	350	320	350	320	350	255	280	255	280	510	580	510	580
VENT CFM	60	60	60	60	60	60	60	60	60	60	60	60	60	60	60	60

Cooling Standards: 95°F DB/75°F WB OUTDOOR, 80°F DB/67°F WB INDOOR
 Heating Standards: 47°F DB/43°F WB OUTDOOR, 70°F DB/60°F WB INDOOR
 Normal Value Wet Coil @ .1" ESP.

Specifications are subject to change without notice.



Product Specifications: AVC Models — Cooling/Electric Heat

MODEL	AVC093		AVC123		AVC183		AVC243	
COOLING DATA								
COOLING BTU	9200/9000		12200/12000		17000/16800		23000/22800	
POWER (W)	880/860		1170/1140		1885/1860		2421/2389	
EER	10.5/10.5		10.4/10.4		9.0/9.0		9.5/9.5	
SENSIBLE HEAT RATIO	0.76		0.72		0.67		0.70	
HEATER SIZE (kW)	2.5/3.4/5.0		2.5/3.4/5.0		2.5/3.4/5.0		2.5/3.4/5.0/7.5/10.0	
ELECTRICAL DATA								
VOLTAGE (1 PHASE, 60 HZ)	230/208		230/208		230/208		230/208	
VOLT RANGE	253-197		253-197		253-197		253-197	
COOLING CURRENT (A)	4.2/4.4		5.2/5.6		8.8/9.5		10.0/10.4	
AMPS L.R	21.0		29.5		42.0		46.0	
AMPS F.L.	3.5		4.7		7.8		9.5	
INDOOR MOTOR (HP)	1/4		1/4		1/4		1/4	
INDOOR MOTOR (A)	1.2		1.2		1.2		1.9	
OUTDOOR MOTOR (HP)	—		—		—		1/4	
OUTDOOR MOTOR (A)	—		—		—		0.85	
PHYSICAL								
DIMENSIONS (W X D X H)	23"x23"x32"		23"x23"x32"		23"x23"x32"		23"x23"x47"	
NET WEIGHT (LBS)	142		147		190		205	
SHIPPING WEIGHT (LBS)	164		169		216		231	
TEST SETTING	LOW		LOW		HIGH		LOW	
R410A CHARGE (OZ)	38		39.5		54		65	
AIRFLOW DATA								
INDOOR CFM	LOW	HIGH	LOW	HIGH	LOW	HIGH	LOW	HIGH
.10" ESP	420	450	420	450	420	465	610	700
.15" ESP	405	425	405	425	390	420	585	670
.20" ESP	385	400	385	400	345	380	560	640
.25" ESP	355	375	355	375	300	325	535	610
.30" ESP	320	350	320	350	255	280	510	580
VENT CFM	UP TO 60		UP TO 60		UP TO 60		UP TO 60	

Cooling Standards: 95°F DB/75°F WB OUTDOOR, 80°F DB/67°F WB INDOOR
Normal Value Wet Coil @ .1" ESP.

Specifications are subject to change without notice.



Product Specifications: AVH Models – Electrical Data

ELECTRICAL DATA						
	AVH093			AVH123		
HEATER WATTS	2500/2050	3400/2780	5000/4090	2500/2050	3400/2780	5000/4090
VOLTAGE	230/208					
ELECTRIC HEATING BTU	8500/7000	11600/9500	17000/13900	8500/7000	11600/9500	17000/13900
HEAT CURRENT (AMPS)	10.9/9.9	14.8/13.4	21.7/19.7	10.9/9.9	14.8/13.4	21.7/19.7
HEATING AMPS HP	4.0/4.0	4.0/4.0	4.0/4.0	5.7/5.9	5.7/5.9	5.7/5.9
MINIMUM CIRCUIT AMPACITY	15	19.9	28.7	15	19.9	28.7
BRANCH CIRCUIT FUSE (AMPS)	15	20	30	15	20	30
LRA-COMPRESSOR (AMPS)	21	21	21	30	30	30
COOLING CURRENT (AMPS)	4.3/4.3	4.3/4.3	4.3/4.3	5.9/5.7	5.9/5.7	5.9/5.7
BASIC HEATER SIZE	2.5KW	3.4KW	5.0KW	2.5KW	3.4KW	5.0KW
POWER CONNECTION HARD WIRED	HARD WIRED					
RECOMMENDED BRANCH CIRCUIT WIRE SIZES *AWG- AMERICAN WIRE GAUGE	14	12	10	12	12	10

ELECTRICAL DATA						
	AVH094			AVH124		
HEATER WATTS	2500	3400	5000	2500	3400	5000
VOLTAGE	265					
ELECTRIC HEATING BTU	8500	11600	17000	8500	11600	17000
HEAT CURRENT (AMPS)	9.4	12.8	18.8	9.4	12.8	18.8
HEATING AMPS HP	3.2	3.2	3.2	4.5	4.5	4.5
MINIMUM CIRCUIT AMPACITY	13.14	17.38	24.93	13.14	17.38	24.93
BRANCH CIRCUIT FUSE (AMPS)	15	20	30	15	20	30
LRA-COMPRESSOR (AMPS)	21	21	21	30	30	30
COOLING CURRENT (AMPS)	3.5	3.5	3.5	5.1	5.1	5.1
BASIC HEATER SIZE	2.5KW	3.4KW	5.0KW	2.5KW	3.4KW	5.0KW
POWER CONNECTION HARD WIRED	HARD WIRED					
RECOMMENDED BRANCH CIRCUIT WIRE SIZES *AWG- AMERICAN WIRE GAUGE	14	12	10	12	12	10

Product Specifications: AVH Models – Electrical Data

ELECTRICAL DATA								
	AVH183			AVH243				
HEATER WATTS	2500/2050	3400/2780	5000/4090	2500/2050	3400/2780	5000/4090	7500/6135	10000/8180
VOLTAGE	230/208							
ELECTRIC HEATING BTU	8500/7000	11600/9500	17000/13900	8500/7000	11600/9500	17000/13900	25600/20900	34100/27900
HEAT CURRENT (AMPS)	10.9/9.9	14.8/13.4	21.7/19.7	10.9/9.9	14.8/13.4	21.7/19.7	32.6/29.5	43.5/39.3
HEATING AMPS HP	7.8/8.3	7.8/8.3	7.8/8.3	8.5/9.4	8.5/9.4	8.5/9.4	8.5/9.4	8.5/9.4
MINIMUM CIRCUIT AMPACITY	14.3	19.2	27.8	17.2	22.1	30.7	44.3	57.8
BRANCH CIRCUIT FUSE (AMPS)	15	20	30	25	25	35	45	60
LRA-COMPRESSOR (AMPS)	42	42	42	46	46	46	46	46
COOLING CURRENT (AMPS)	9.2/8.6	9.2/8.6	9.2/8.6	10.4/10.0	10.4/10.0	10.4/10.0	10.4/10.0	10.4/10.0
BASIC HEATER SIZE	2.5KW	3.4KW	5.0KW	2.5KW	3.4KW	5.0KW	7.5KW	10.0 KW
POWER CONNECTION HARD WIRED	HARD WIRED							
RECOMMENDED BRANCH CIRCUIT WIRE SIZES *AWG- AMERICAN WIRE GAUGE	14	12	10	10	10	10	6	4

ELECTRICAL DATA						
	AVH184			AVH244		
HEATER WATTS	2500	3400	5000	5000	7500	10000
VOLTAGE	265					
ELECTRIC HEATING BTU	8500	11600	17000	17000	25600	34100
HEAT CURRENT (AMPS)	9.4	12.8	18.9	18.9	28.3	37.7
HEATING AMPS HP	6.9	6.9	6.9	8.1	8.1	8.1
MINIMUM CIRCUIT AMPACITY	12.3	16.6	24.2	27.1	38.9	50.7
BRANCH CIRCUIT FUSE (AMPS)	15	20	30	30	40	55
LRA-COMPRESSOR (AMPS)	42	42	42	46	46	46
COOLING CURRENT (AMPS)	7.6	7.6	7.6	9.7	9.7	9.7
BASIC HEATER SIZE	2.5KW	3.4KW	5.0KW	5.0KW	7.5KW	10.0KW
POWER CONNECTION HARD WIRED	HARD WIRED					
RECOMMENDED BRANCH CIRCUIT WIRE SIZES *AWG- AMERICAN WIRE GAUGE	14	12	10	10	6	4

Specifications are subject to change without notice.



Product Specifications: AVC Models – Electrical Data

ELECTRICAL DATA									
	AVC093			AVC123			AVC183		
HEATER WATTS	2500/2050	3400/2780	5000/4090	2500/2050	3400/2780	5000/4090	2500/2050	3400/2780	5000/4090
VOLTAGE	230/208								
ELECTRIC HEATING BTU	8500/7000	11600/9500	17000/13900	8500/7000	11600/9500	17000/13900	8500/7000	11600/9500	17000/13900
TOTAL ELECTRIC HEAT AMPS	10.9/9.9	14.8/13.4	21.7/19.7	10.9/9.9	14.8/13.4	21.7/19.7	10.9/9.9	14.8/13.4	21.7/19.7
MINIMUM CIRCUIT AMPACITY	15.0	19.9	28.7	15.0	19.9	28.7	15.0	19.9	28.7
BRANCH CIRCUIT FUSE (AMPS)	15	20	30	15	20	30	15	20	30
LRA-COMPRESSOR (AMPS)	21.0	21.0	21.0	29.5	29.5	29.5	42.0	42.0	42.0
COOLING CURRENT (AMPS)	4.2/4.4	4.2/4.4	4.2/4.4	5.2/5.6	5.2/5.6	5.2/5.6	8.8/9.5	8.8/9.5	8.8/9.5
BASIC HEATER SIZE	2.5KW	3.4KW	5.0KW	2.5KW	3.4KW	5.0KW	2.5KW	3.4KW	5.0KW
POWER CONNECTION HARD WIRED	HARD WIRED								
RECOMMENDED BRANCH CIRCUIT WIRE SIZES *AWG- AMERICAN WIRE GAUGE	14	12	10	12	12	10	12	12	10

ELECTRICAL DATA					
	AVC243				
HEATER WATTS	2500/2050	3400/2780	5000/4090	7500/6135	10000/8180
VOLTAGE	230/208				
ELECTRIC HEATING BTU	8500/7000	11600/9500	17000/13900	25600/20900	34100/27900
TOTAL ELECTRIC HEAT AMPS	10.9/9.9	14.8/13.4	21.7/19.7	32.6/29.5	43.5/39.3
MINIMUM CIRCUIT AMPACITY	17.2	22.1	30.7	44.3	57.9
BRANCH CIRCUIT FUSE (AMPS)	25	25	30	45	60
LRA-COMPRESSOR (AMPS)	46.0	46.0	46.0	46.0	46.0
COOLING CURRENT (AMPS)	10.0/10.4	10.0/10.4	10.0/10.4	10.0/10.4	10.0/10.4
BASIC HEATER SIZE	2.5KW	3.4KW	5.0KW	7.5KW	10.0 KW
POWER CONNECTION HARD WIRED	HARD WIRED				
RECOMMENDED BRANCH CIRCUIT WIRE SIZES *AWG- AMERICAN WIRE GAUGE	10	10	10	6	4

Specifications are subject to change without notice.